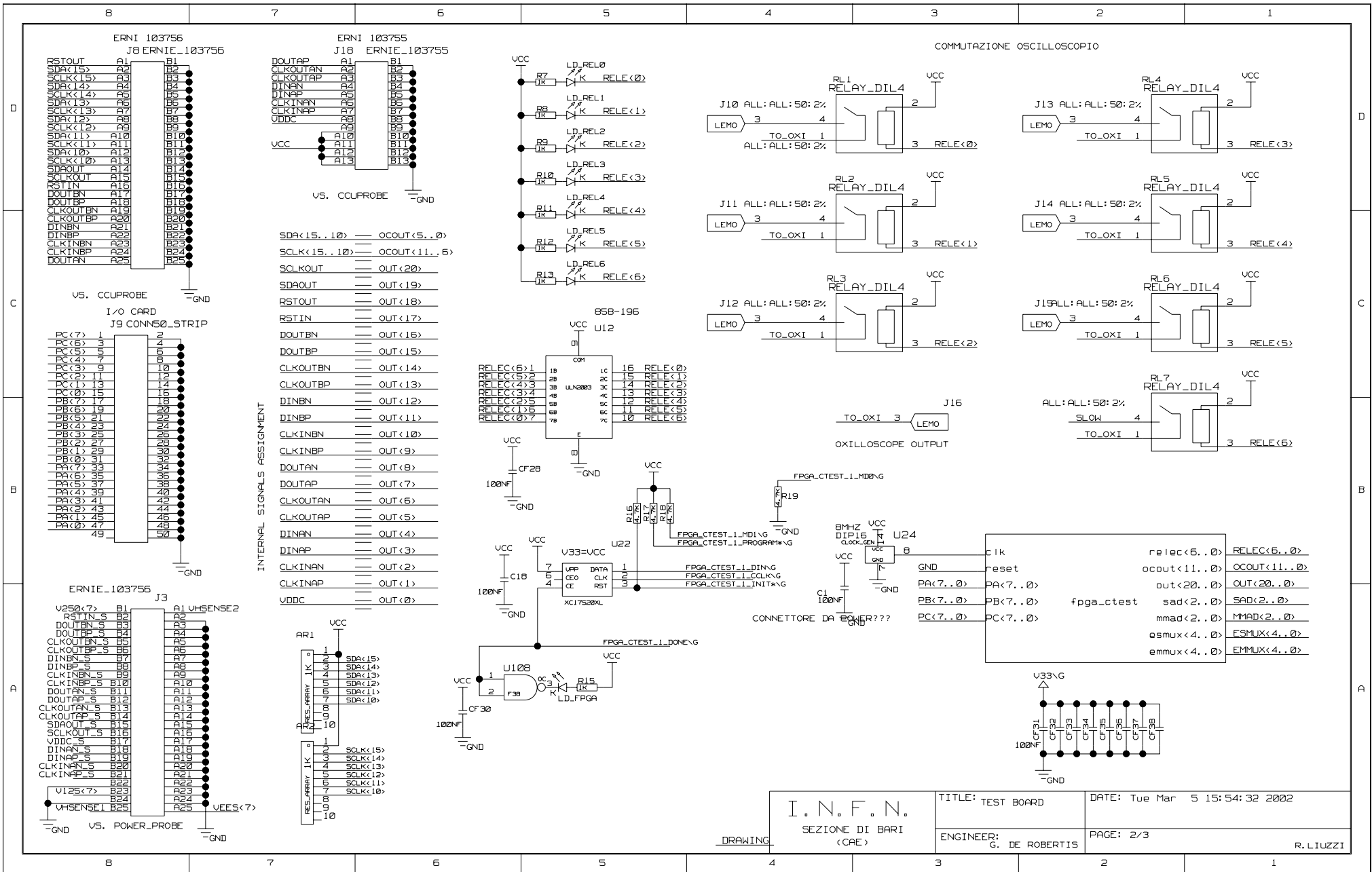
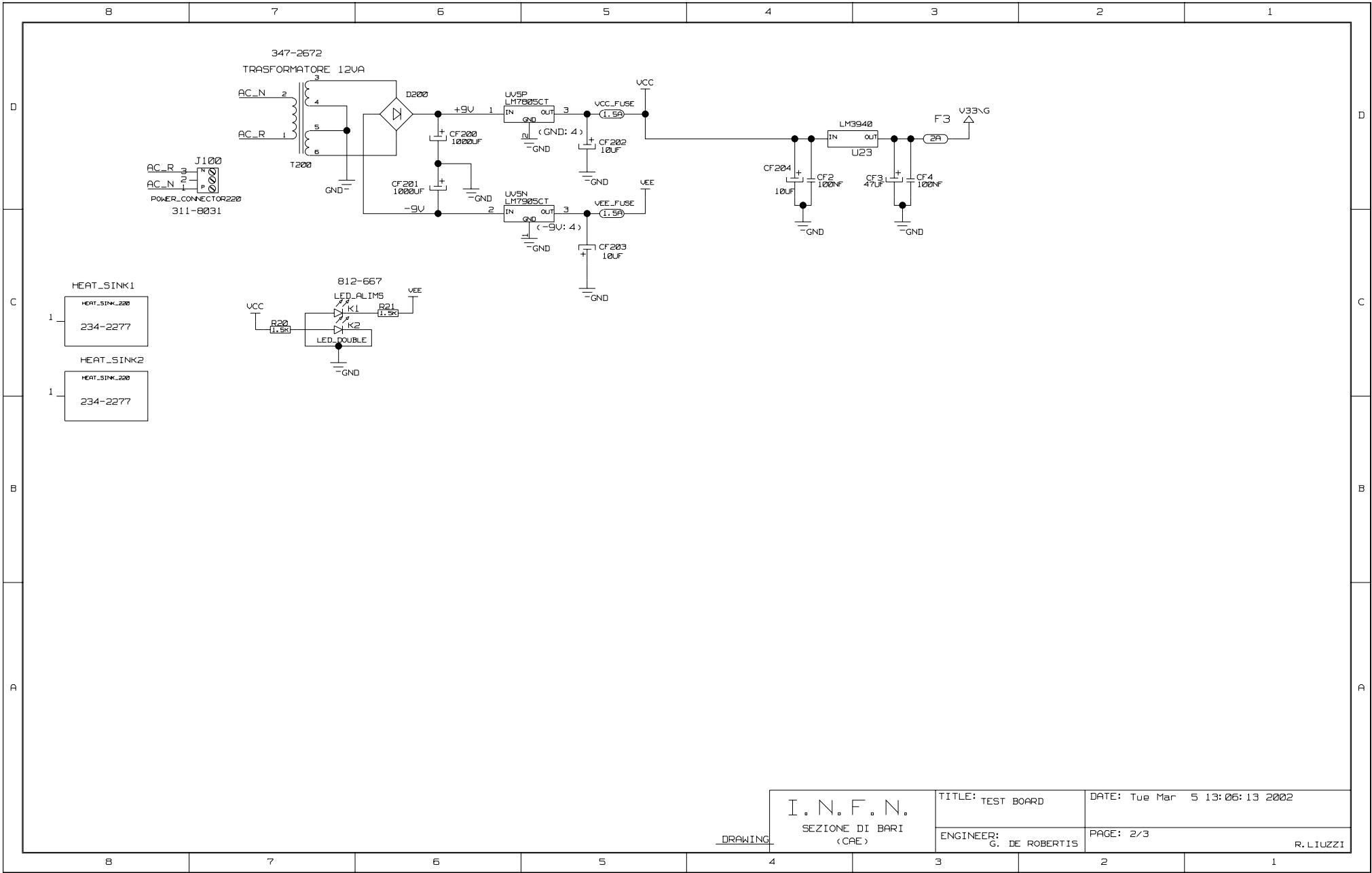


I. N. F. N. SEZIONE DI BARI (CAE)	TITLE: TEST BOARD	DATE: Thu Mar 7 11:07:57 2002
	ENGINEER: G. DE ROBERTIS	PAGE: 1/3

DRAWING

R. LIUZZI





DRAWING

I. N. F. N.
SEZIONE DI BARI
(CAE)

TITLE: TEST BOARD

DATE: Tue Mar 5 13:06:13 2002

ENGINEER:
G. DE ROBERTIS

PAGE: 2/3

R. LIUZZI

TITLE: Bill of Materials
 DATE: 03/07/2002
 DESIGN: test_board
 TEMPLATE: /cds/cdslibs/part_tables/template_rs.bom
 CALLOUT: bom.callouts

Part Name Ref Des	Qty	Value	RS Code
74F38_SO U108	1	?	?
74HC4051 U2-U11	10	?	333-4716
74LS05_Si U13	1	?	?
AD8001-VI U1	1	?	?
AMP_8_21 J1,J2,J4-J7	6	?	301-8010
BRIDGE D200	1	?	?
BSS88 Q1,Q2	2	BSS88	?
CAP-100N C1,C18,CF	38	100NF	?
CAPEL-10 CF200,CF2	2	1000UF	?
CAPEL-10 CF202-CF2	3	10UF	?
CAPEL-47 CF3	1	47UF	?
CLOCK_G U24	1	8MHZ	?
CONN26_{J19	1	?	?
CONN50_{J9	1	?	?
DB25 J17	1	?	?
ERNIE_10: J18	1	?	?
ERNIE_10: J3,J8	2	?	329-8193
FPGA_CTI U14	1	?	?
FUSE F3	1	2A	?
FUSE-RES VCC_FUS1	2	1.5A	422-056
HEAT_SIN HEAT_SIN	2	?	234-2277
JUMPER-J SCLK_OFF	3	?	?
LED LD_FPGA,	8	?	?
LED_DOU LED_ALIM	1	?	812-667
LEMO J10-J16	7	?	?
LM3940 U23	1	?	?
LM7805CT UV5P	1	LM7805CT	?
LM7905CT UV5N	1	LM7905CT	?
POWER_C J100	1	?	311-8031
RELAY_DI RL1-RL7	7	?	327-1586
RES-1.5K, R20,R21	2	1.5K	?
RES-10K,1R22-R27	6	10K	?
RES-1K,1/R7-R13,R1	8	1K	?
RES-2.2K, R28,R29	2	2.2K	?
RES-4.7K, R16-R19	4	4.7K	?
RES-47,1/R1-R6	6	47	?
RES-820,1 R14	1	820	?
RES_ARR.AR1,AR2	2	1K	?
TRANSF_I T200	1	3.3VA	347-2672
ULN2003-{ U12	1	?	858-196
XC17S20X U22	1	?	?
TOTAL	143		

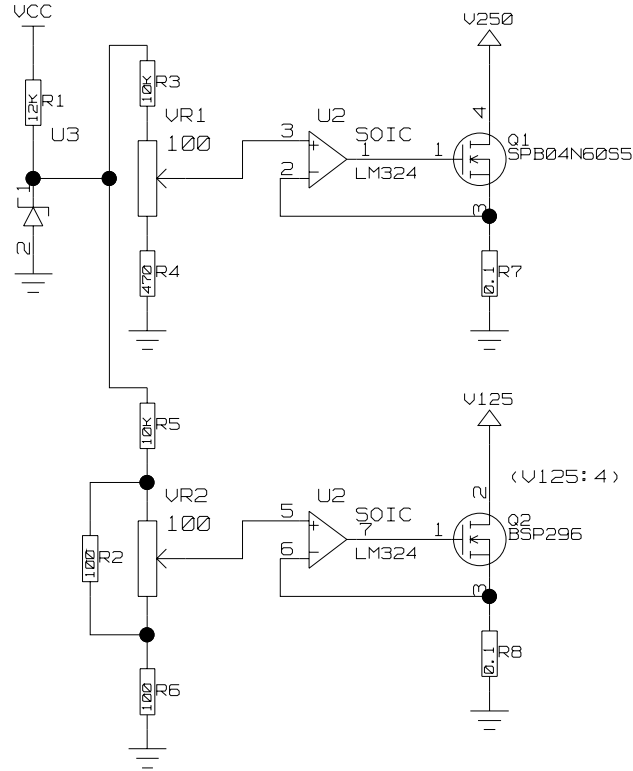
4

3

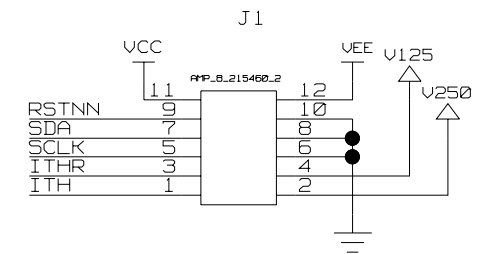
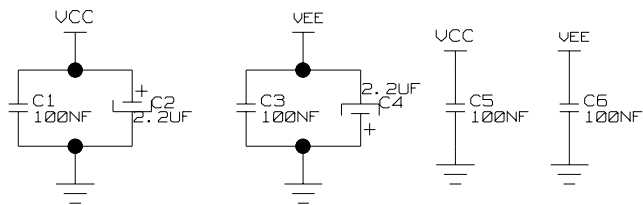
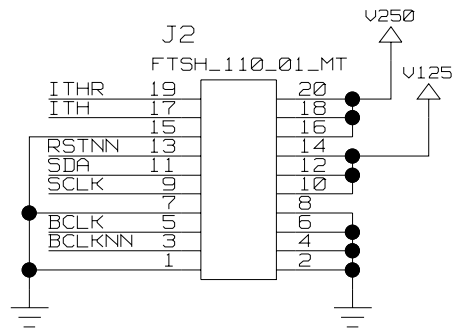
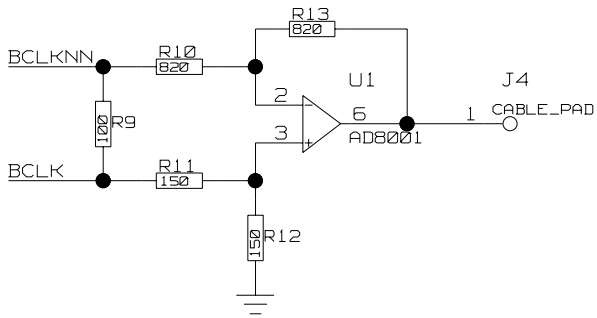
2

1

CARICHI ATTIVI



BUFFER CLKPLL



DRAWING

I . N . F . N .
 SEZIONE DI BARI
 (CAE)

TITLE:
 PROBE TEST CAVI

DATE:
 Fri Mar 1 07: 58: 52 2002

ENGINEER:
 G. DE ROBERTIS

PAGE:
 1 / 1

4

3

2

1

TITLE: Bill of Materials
 DATE: 03/01/2002
 DESIGN: probe
 TEMPLATE: /cds/cdslibs/part_tables/template_rs.bom
 CALLOUT: bom.callouts

Part Name Ref Des	Qty	Value	RS Code
AD8001-VI U1	1	?	?
AMP_8_21 J1	1	?	?
BSP296-(V Q2	1	BSP296	?
CABLE_P/J4	1	?	?
CAP-100N C1,C3,C5,I	4	100NF	?
CAPEL-2.2 C2,C4	2	2.2UF	?
FTSH_110 J2	1	?	?
LM324_SC U2	1	?	?
RES-0.1,1\ R7,R8	2	0.01	235-7982
RES-100,1 R9	1	100	?
RES-100,1 R2,R6	2	100	?
RES-10K,1 R3,R5	2	10K	?
RES-12K,1 R1	1	12K	?
RES-150,1 R11,R12	2	150	?
RES-470,1 R4	1	470	?
RES-820,1 R10,R13	2	820	?
SMD_REF U3	1	?	ZRA250F01 RS#275-995 LM385-2.5 RS#197-7428
SPB04N60 Q1	1	SPB04N60	?
VRES-100 VR1,VR2	2	100	377-063
TOTAL	29		

4

3

2

1

D

D

C

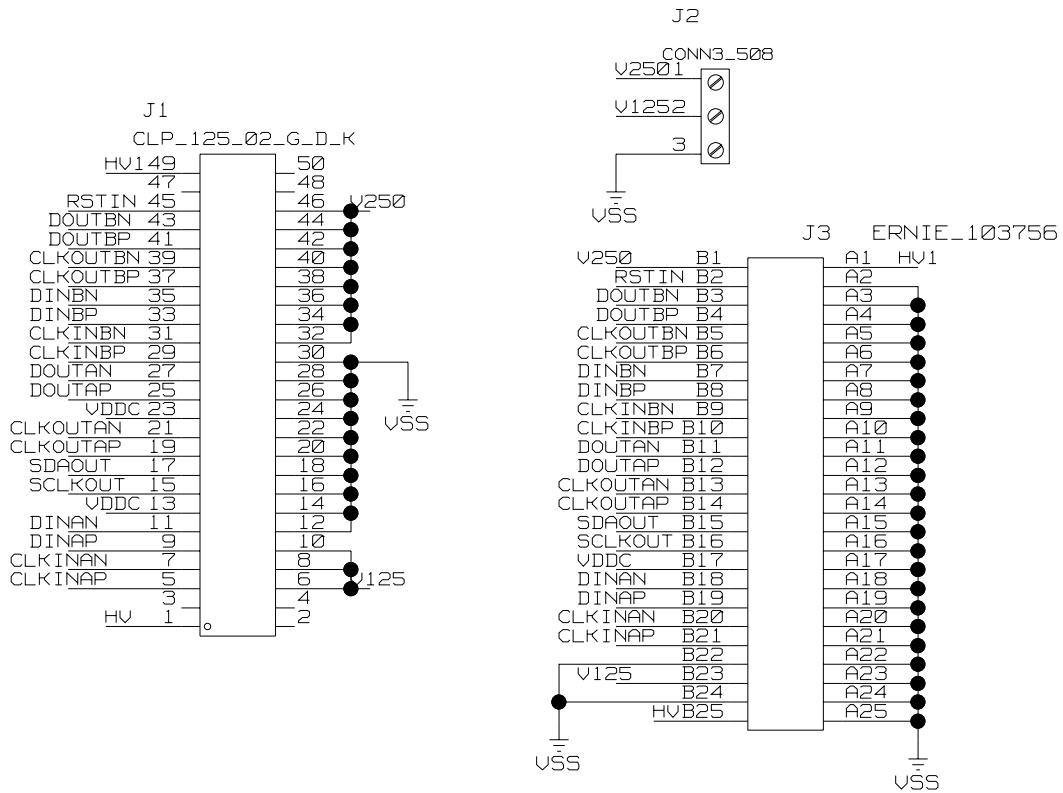
C

B

B

A

A



DRAWING

I. N. F. N.
 SEZIONE DI BARI
 (CAE)

TITLE: POWER_PROBE

DATE: Tue Feb 19 12: 33: 30 2002

ENGINEER: G. DE ROBERTIS

PAGE: 1/1

4

3

2

1

TITLE: Bill of Materials
DATE: 03/01/2002
DESIGN: power_probe
TEMPLATE: /cds/cdslibs/part_tables/template_rs.bom
CALLOUT: bom.callouts

Part Name	Ref Des	Qty	Value	RS Code
CLP_125_I	J1		1 ?	?
CONN3_5	J2		1 ?	?
ERNIE_10	J3		1 ?	329-8193
TOTAL			3	

4

3

2

1

D

D

C

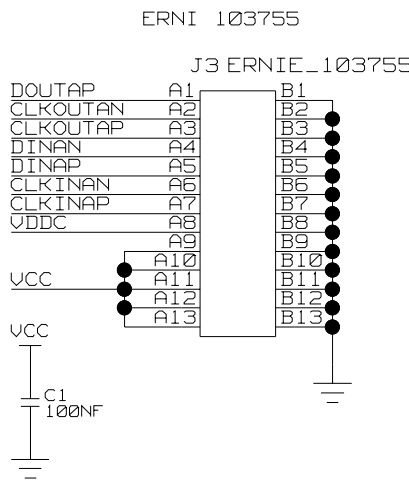
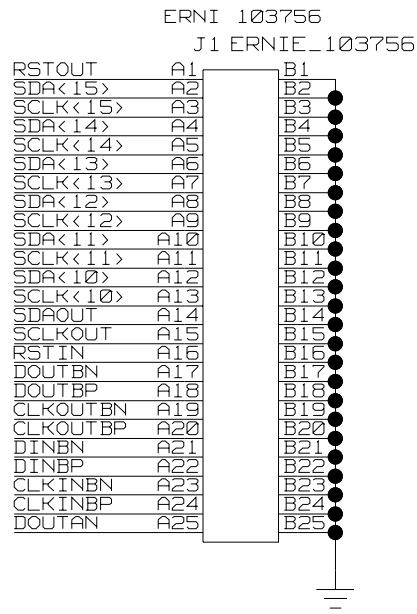
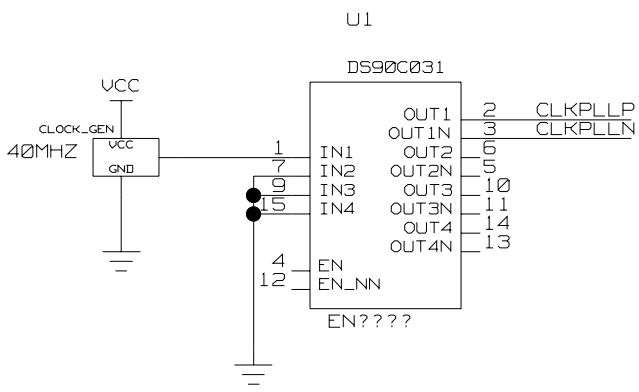
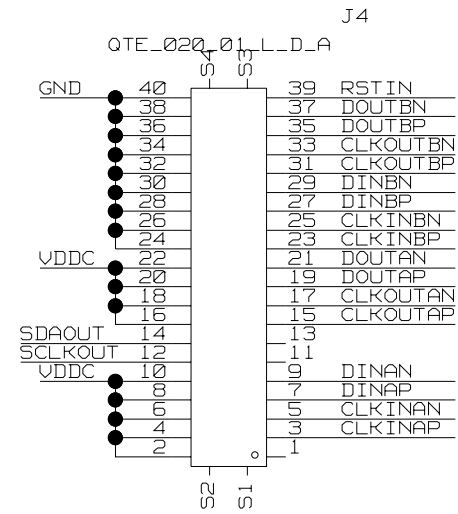
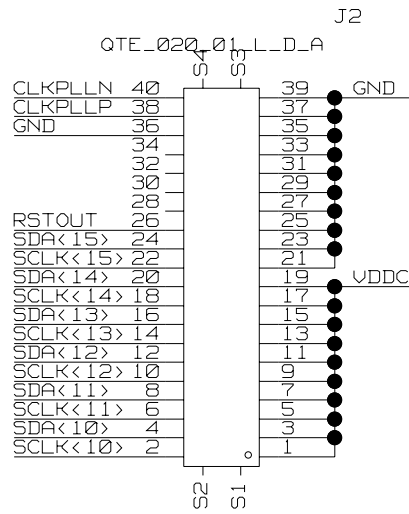
C

B

B

A

A



DRAWING

I . N . F . N .
SEZIONE DI BARI
(CAE)

TITLE: CCUPROBE
ENGINEER: G. DE ROBERTIS

DATE: Thu Feb 7 11:15:53 2002
PAGE: 1/1

4

3

2

1

TITLE: Bill of Materials
DATE: 03/01/2002
DESIGN: ccuprobe
TEMPLATE: /cds/cdslibs/part_tables/template_rs.bom
CALLOUT: bom.callouts

Part Name	Ref Des	Qty	Value	RS Code
CAP-100N	C1	1	100NF	?
CLOCK_G	U2	1	40MHZ	?
DS90C031	U1	1	?	?
ERNIE_10	J3	1	?	?
ERNIE_10	J1	1	?	?
QTE_020_	J2,J4	2	?	?
TOTAL		7		