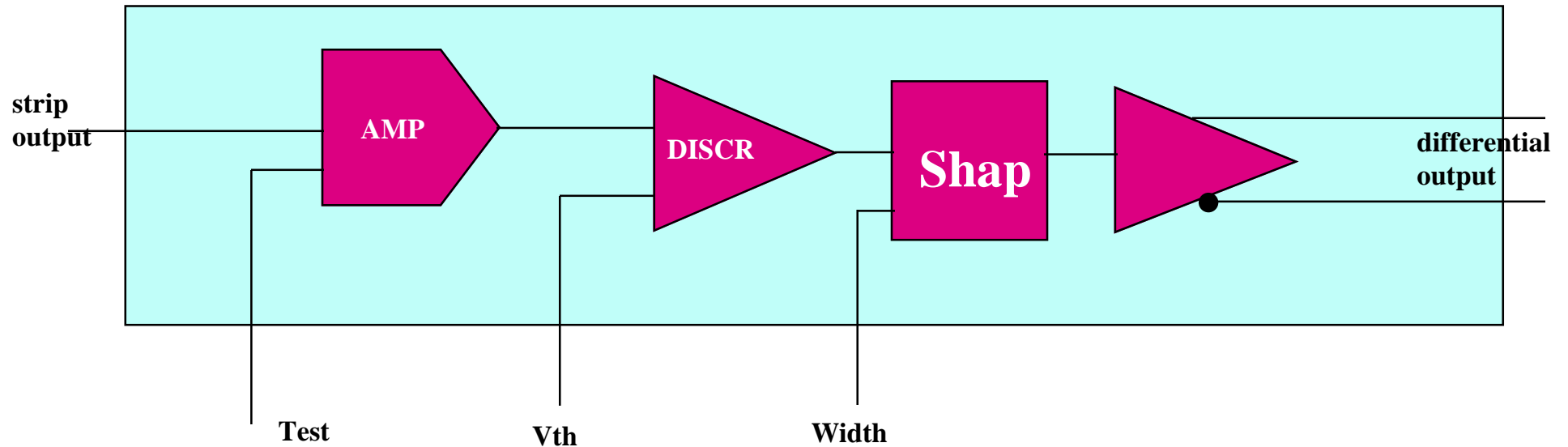


# RPC F.E. CHIP SCHEMATIC



## Charge Amplifier (6 channels)

sensitivity = 1.6 mV/fC

dissipation power = 6.5 mW

## Threshold Discriminator

threshold =  $10\text{fC} < Q_{\text{th}} < 200\text{fC}$

dissipation power = 7.5 mW

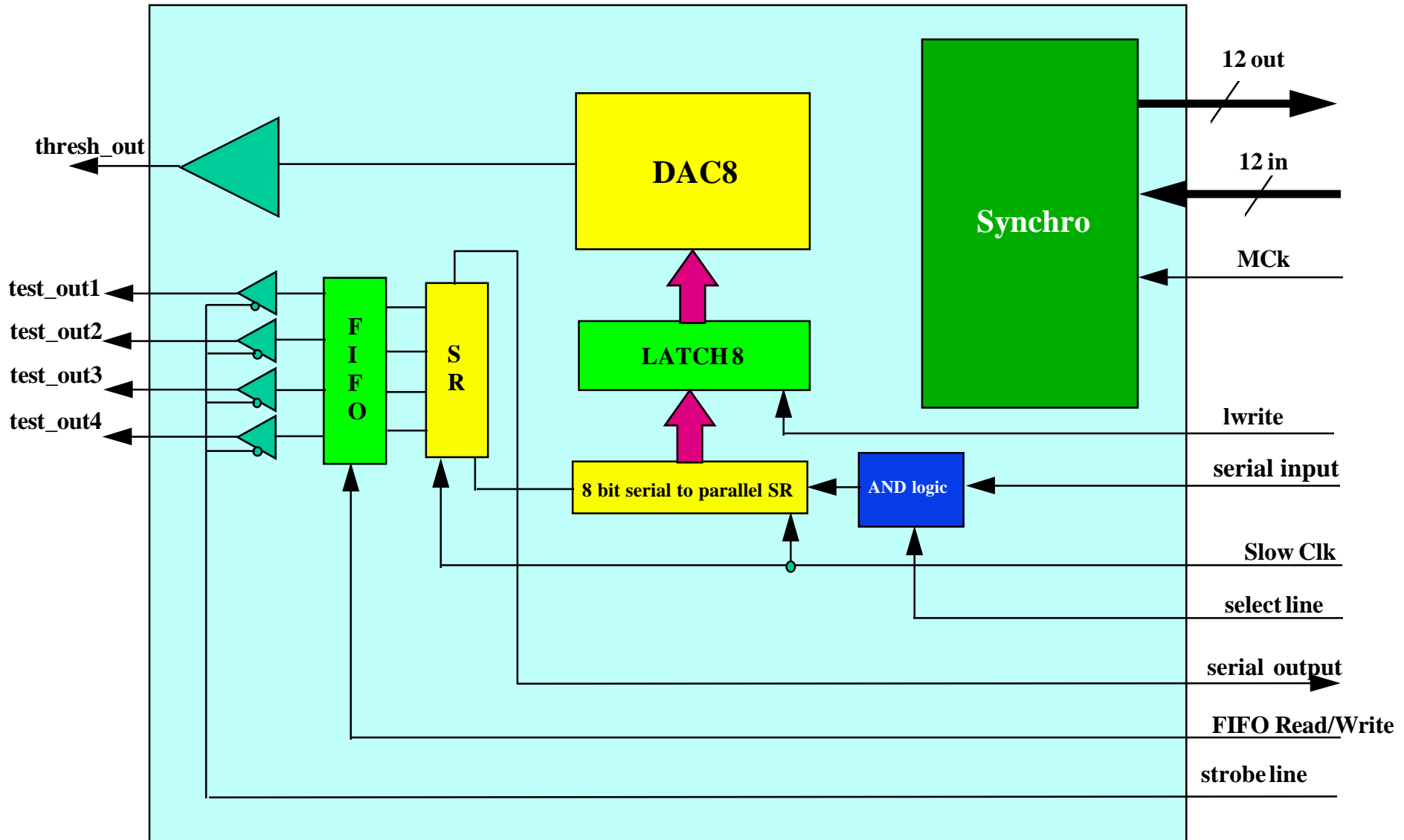
Shaper width:  $60\text{ns} < T_w < 180\text{ns}$

## Power Output Driver:

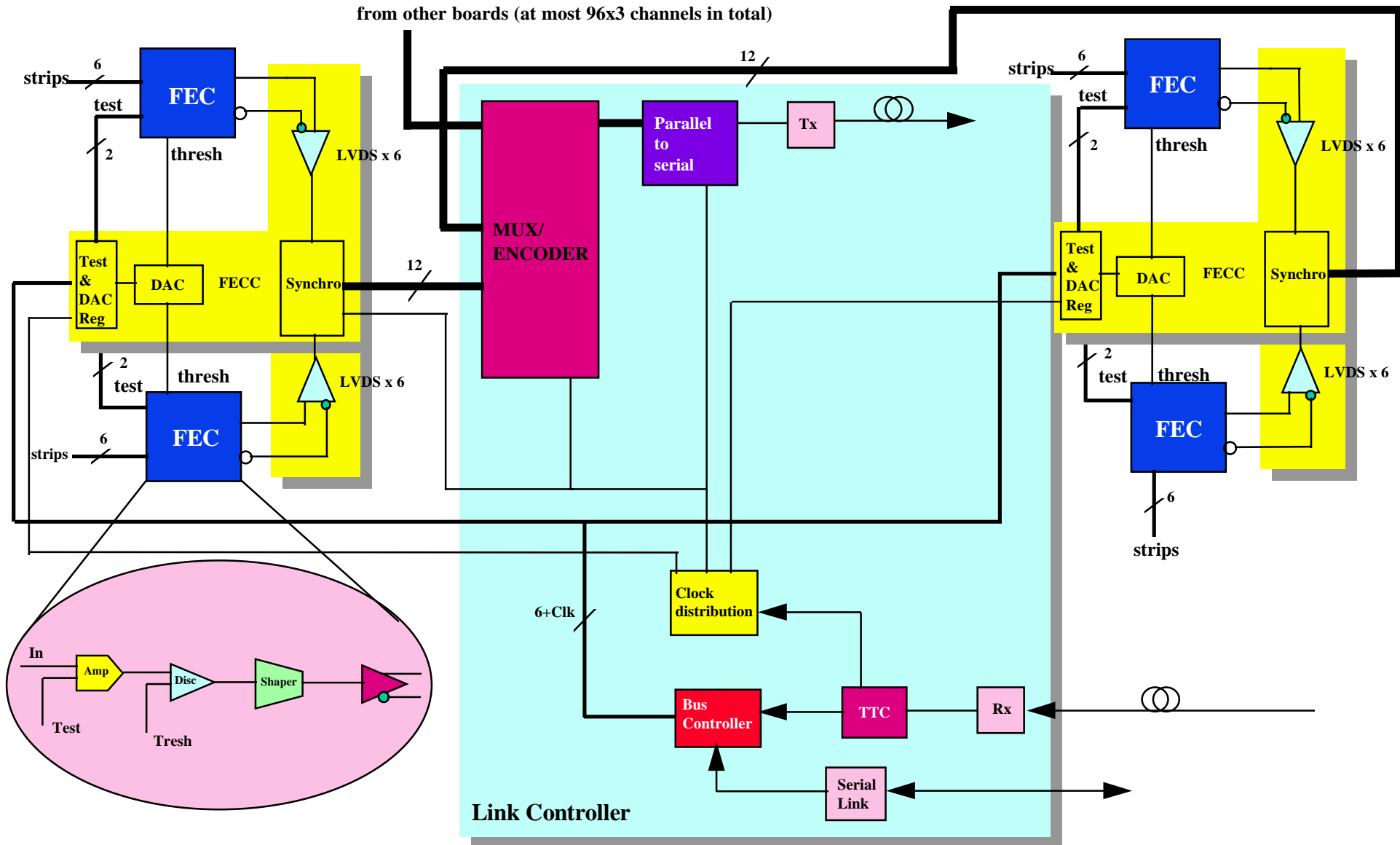
17 mW (100  $\Omega$ )

5 mW (high Z)

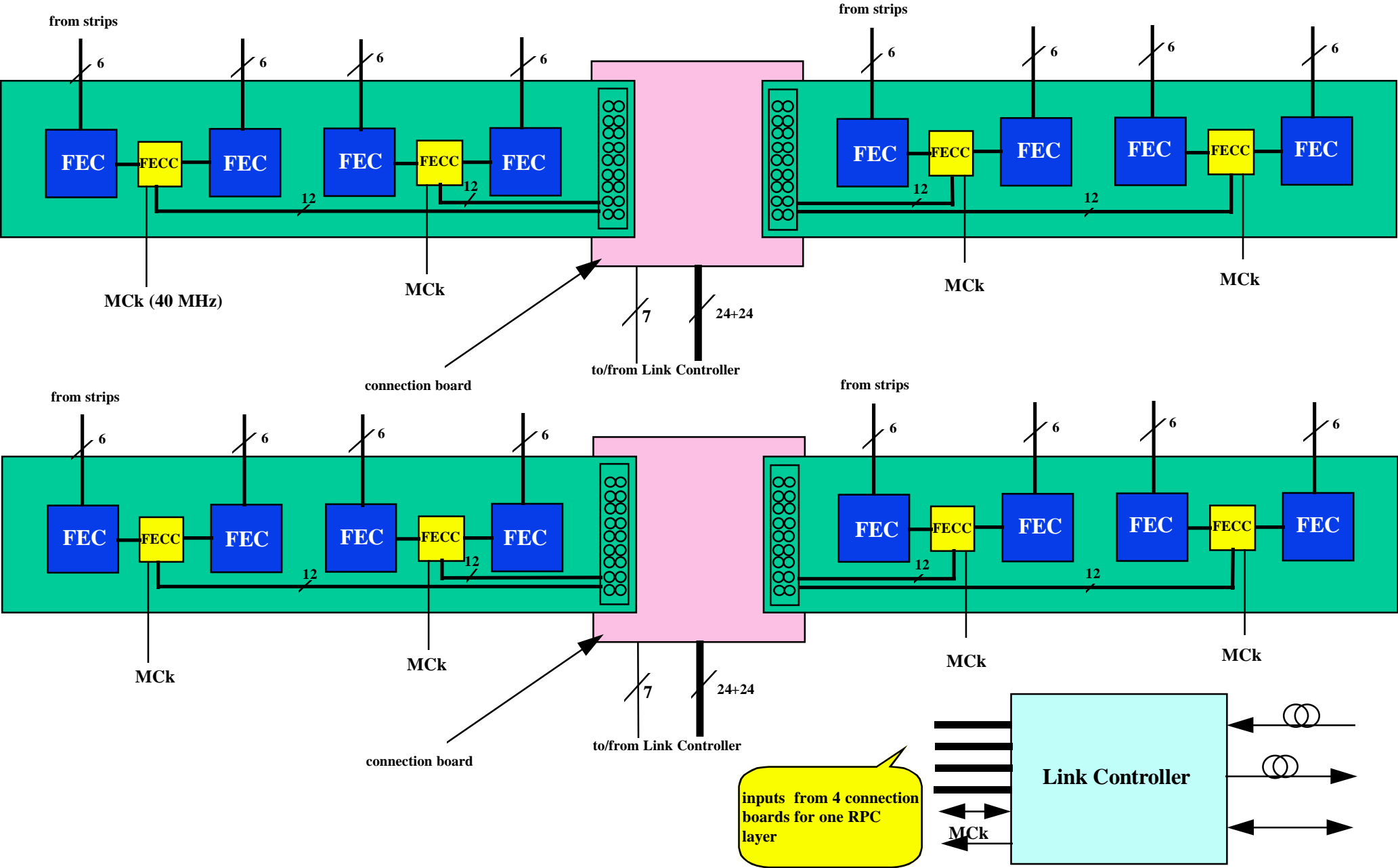
# Front\_End\_Control\_Chip



# FE ReadOut & Control



# FE boards connection scheme layout



## Cables interconnection schematic view

